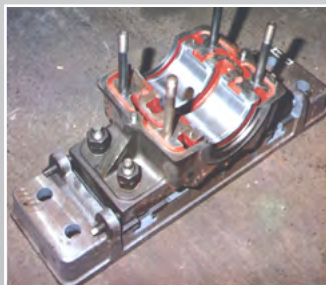


Product Range

- Easy and fast assembly
- Excellent tolerance to shaft behaviors
- Minimal space requirements
- Unrivalled service life
- Low maintenance
- Self-alignment capacity
- Short replacement duration
- Optimized customer follow-up

Options and Services

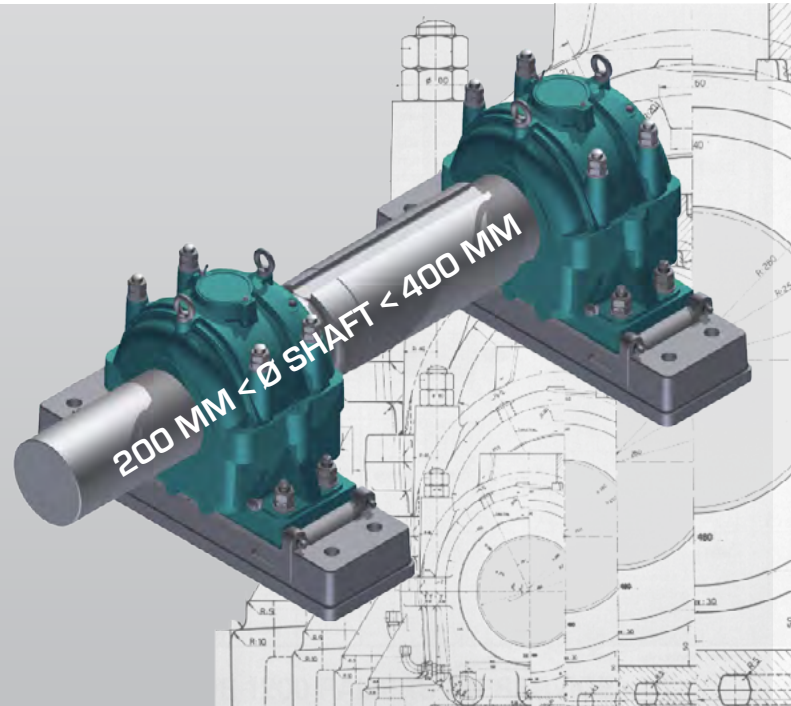
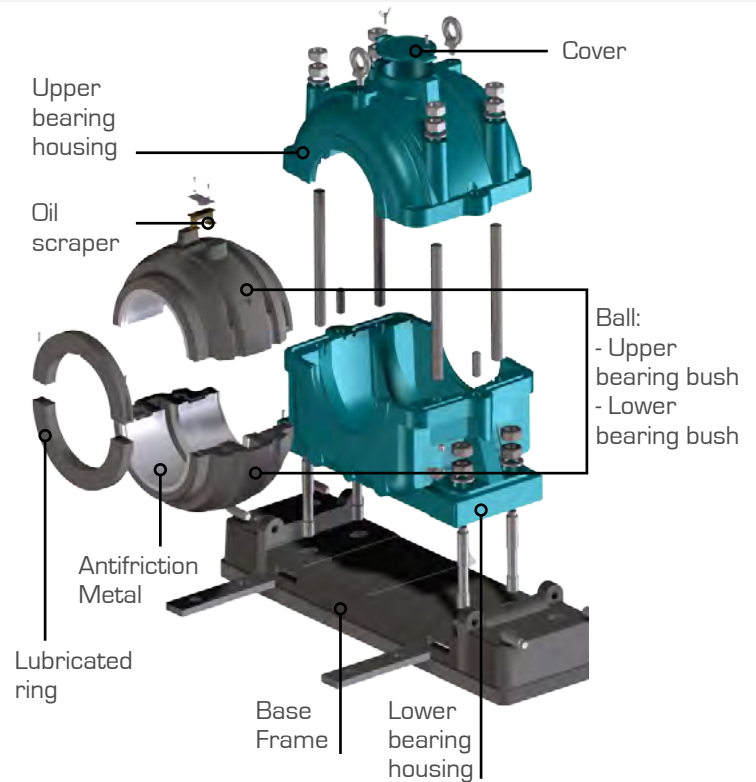
- Additional water cooling
- Forced lubrication
- Adapted pinion shaft
- Temperature gauge
- Shaft en covers
- Base plates



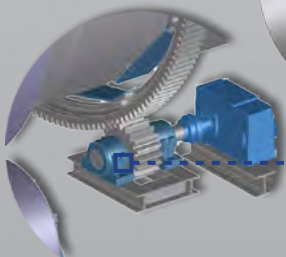
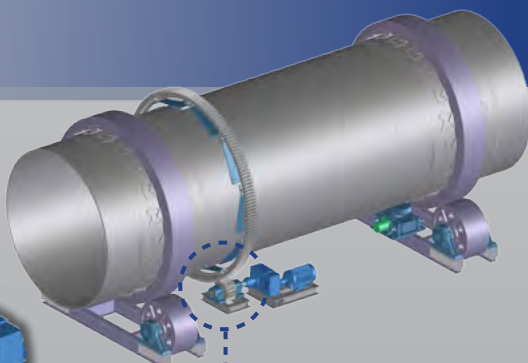
Documentation

ALC Bearings provides customer with documentation for:

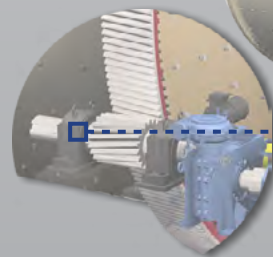
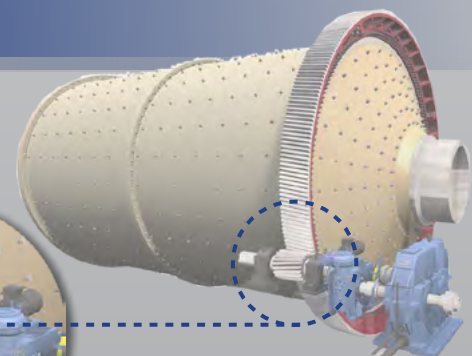
- Maintenance
- Assembly and lubrication



Kiln Bearings



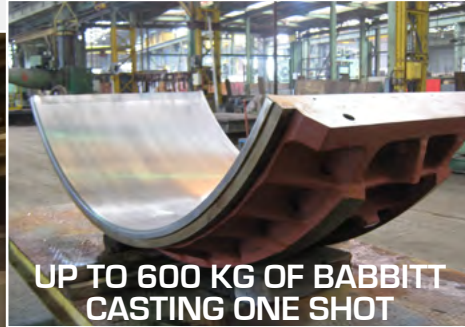
Mill Bearings



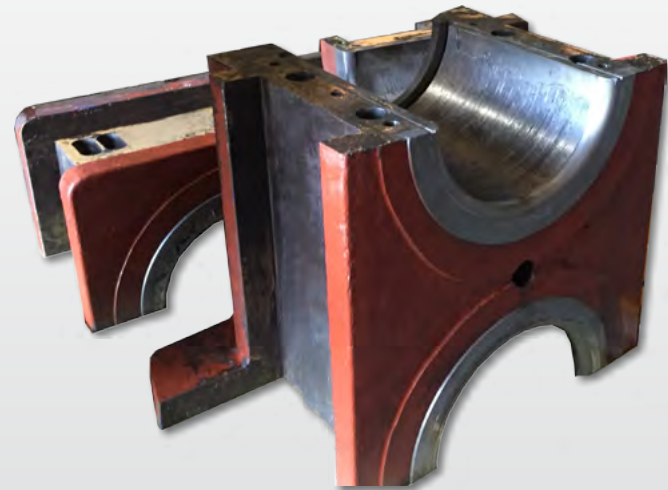
VERTICAL LATHE OF 8000 MM DIAMETER CAPACITY



SUPPORT BEARING BUSH



UP TO 600 KG OF BABBITT CASTING ONE SHOT



CHOCKS SET

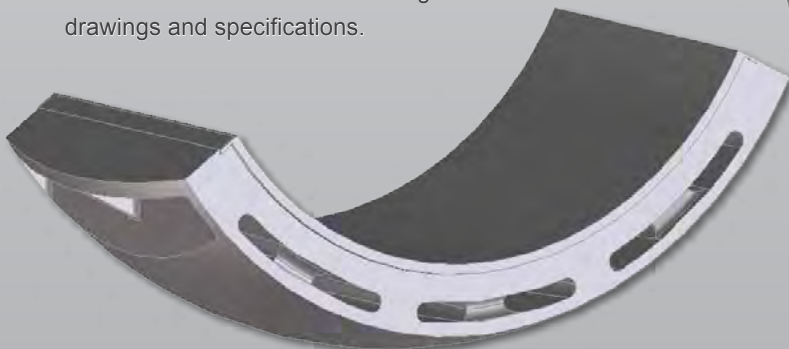
- Refurbishing or refilling of anti-friction materials
- Repair in our workshop or on site

ALC Bearings is able to revamp wide range of mechanical parts. When surfaces are heavily damaged, we can renew it by using strip cladding (SAW or ESW process).

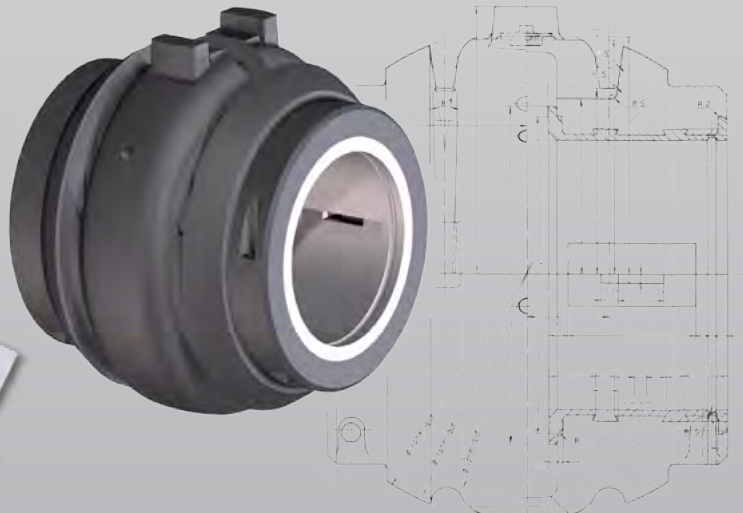


Strip cladding process

Thanks to our efficient methods, ALC Bearings guarantees optimized manufacturing of customized solutions according to client drawings and specifications.



Hydrostatic pad



Bearings are made in Ateliers Roche who is certified:
ISO 9001 ; ISO 14001 ; OHSAS 18001

